

WhisperControl

Condensation Sensor Plus

FV-WCCS1-W, FV-WCCS1-A On/Off (White & Light Almond)

FV-WCCS2-W, FV-WCCS2-A On/Off/Light (White & Light Almond)



FV-WCCS1-W



FV-WCCS2-A

- Intelligent and advanced sensor technology monitors humidity and temperature to anticipate dew point, automatically operating the fan to control moisture
- Automatic seasonal adaptability with optional Moisture Sensitivity Selector that allows fine tuning for dry or moist environments
- Adjustable Minutes Per Hour (MPH) Fan Timer ensures consistent and controlled ventilation throughout the day for compliance with ASHRAE 62.2
- Includes manual on/off fan control
- 20 minute delay off timer initiates once fan is manually turned on

ADDITIONAL BENEFITS

- Commercial Grade – 8 Amp max load
- Engineered to efficiently control current LED lighting and DC motor loads
- Compatible with all single speed fan and fan/light models
- Stylish decorator design with wall plate included
- Blue LED light indicates when the fan is on
- 2 year limited warranty*
- Can be used to comply with ASHRAE 62.2, LEED, ENERGY STAR® 3.0 and CALGreen

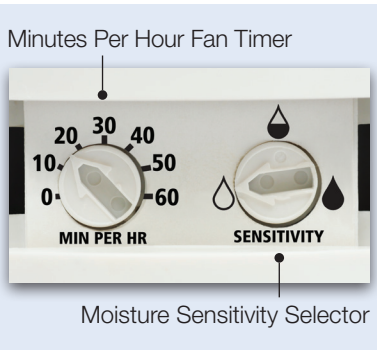
* One year additional fan warranty available when a Panasonic WhisperCeiling/Lite, WhisperValue or WhisperFit/Lite fan is controlled by the Panasonic Condensation Sensor Plus.

WhisperControl

CONDENSATION SENSOR PLUS

Example:

Using an 80 CFM fan and setting the MPH fan timer to run 30 minutes per hour will instantly make it equivalent to a 40 CFM fan running 24/7.



Timer and Sensor Settings

- **Moisture Control** – Automatically turns on exhaust fan to control moisture. Advanced, patent pending sensor technology detects humidity and temperature for superior accuracy. Fan automatically turns off when the optimum dryness level is met, in all climate zones and for all seasons.
- **Moisture Sensitivity Selector** – Allows you to adjust for sensitivity based on your regional climate, the size of your bathroom and your preferred dryness level. The patent pending technology tracks temperature and humidity over several weeks to determine the level of dryness your room needs to return to. When the Condensation Sensor Plus turns on, the room will be dried out to the level that was averaged over this period of time. The Moisture Sensitivity Selector is not affected by daily or seasonal changes in your room’s climate so you can set it once and forget it.
- **Adjustable Minutes Per Hour (MPH) Fan Timer** – Set the MPH fan timer to have the fan come ON for a set amount of time every hour (0-60 mins.) for compliance with ASHRAE 62.2. The MPH fan timer provides constant and controlled ventilation every hour.

The MPH Fan Timer will also credit any manual use time to the next hours operation (up to 3 hours ahead). This credit for manual use saves energy by conserving heated or cooled air.
- **Manual On/Off Control** – Simply push the switch for manual fan operation and if you’ve turned your fan off before the room has been adequately cleared of moisture, the Condensation Sensor Plus overrides the operation to ensure your exhaust fan removes the moist air.
- **Delay Timer** – Manually turning the fan on initiates a 20 minute countdown cycle. During automatic operation, a 30 minute countdown timer initiates after moisture returns to normal levels.



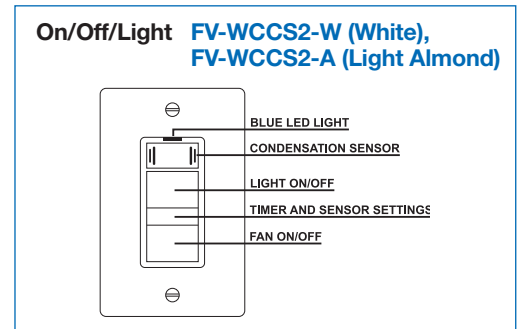
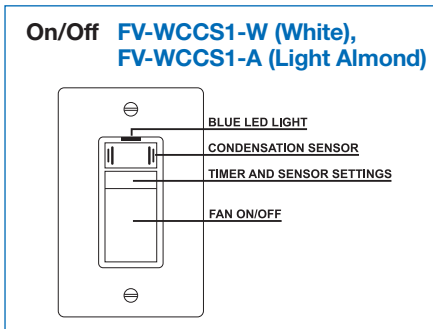
High Sensitivity – Setting the Condensation Sensor Plus to its most sensitive setting covers the widest range of humidity. This is a setting for dryer climates and/or larger rooms. In a very dry environment, higher sensitivity is needed.



Average Sensitivity – The Condensation Sensor Plus comes factory set to this most common setting.



Low Sensitivity – The least sensitive setting is used in hotter and more humid climates. In a very moist environment, low moisture sensitivity may be needed to avoid excessive fan run-time.



WhisperControl Condensation Sensor Plus	FV-WCCS1-W/A	FV-WCCS2-W/A
Ground	Grounding	Grounding
Feature	Blue LED	Blue LED
Amperage	15 Amp	15 Amp
Maximum Fan Load	8 Amp	8 Amp
Voltage	120 Volts	120 Volts
Dry Contact Switching	24 Volt AC Input/Output	24 Volt AC Input/Output
Termination	6" Leads	6" Leads
Connections (Copper Wire Connections)	Use #14 or #12	Use #14 or #12
Max. Fluorescent Light Load	NA	400 Watt
Standard Certifications	UL/CSA Listed	UL/CSA Listed
Warranty	2 Year Limited	2 Year Limited

PRESET COUNTDOWN AND HOURLY TIMER



FV-WDD01-W (White)
FV-WCD01-A (Light Almond)

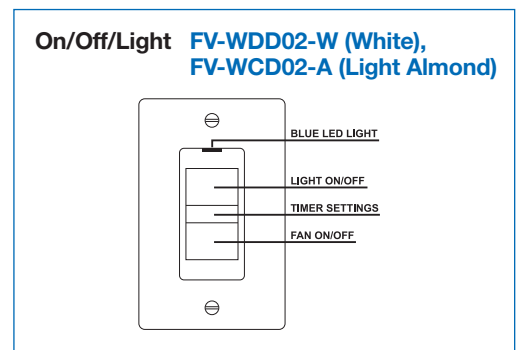
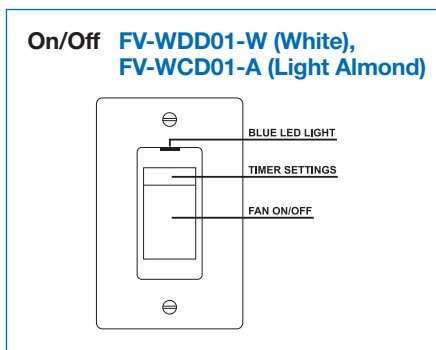


FV-WCD02-W (White)
FV-WCD02-A (Light Almond)

- **Pre-set Countdown and Hourly Fan Timer** – Pre-set the fan timer to 5-15-30-45 or 60 minutes. When the fan turns ON, the timer will run the fan for the selected period of time then shut the fan OFF automatically for you. This feature is great for tenant and family use.
- **Adjustable Minutes Per Hour (MPH) Fan Timer** – Set the MPH fan timer to have the fan come ON for a set amount of time every hour (0-60 mins.) for compliance with ASHRAE 62.2. The MPH fan timer provides constant and controlled ventilation every hour. It also sees when you’ve used the Pre-set Countdown Fan Timer and will temporarily suspend fan operation to avoid excessive run times. If you want to manually shut the fan off when the MPH timer is running, simply press the fan On/Off button.
- **Manual On/Off Fan Control** – Simply push the switch for manual on/off operation when immediate ventilation is needed.

ADDITIONAL BENEFITS

- Commercial Grade, 8 Amp max load
- Blue LED indicates when the fan is on
- For indoor use in a single gang box
- Includes matching wall plate
- May be used to comply with ASHRAE 62.2, LEED and ENERGY STAR® 3.0
- 2 year limited warranty



Timer and Sensor Settings

Preset Countdown and Hourly Timer	FV-WCD01-W/A	FV-WCD02-W/A
Ground	Grounding	Grounding
Feature	Blue LED Light	Blue LED Light
Amperage	15 Amp	15 Amp
Maximum Fan Load	8 Amp	8 Amp
Dry Contact Switching	24V AC input/output	24V AC input/output
Max. Fluorescent Light Load	N/A	400 Watt
Termination	6" Leads	6" Leads
Standard Certifications	UL/CSA Listed	UL/CSA Listed
Warranty	2 Year Limited	2 Year Limited

1 Function Switch On/Off — Ideal for Fan



FV-WCSW11-W (White)
FV-WCSW11-A (Light Almond)

FEATURES & BENEFITS

- Fan On/Off Switch
- Engineered to efficiently control current LED lighting and DC motor loads
- Back and side wiring terminals accept both solid and stranded wire to ease installation
- Full-rated current capacity with fluorescent or resistive loads. Motor capacity is 80% of switch rating
- Fits single gang box / Includes matching wall plate
- Commercial Grade

Specifications	FV-WCSW11-W/A
Ground	Grounding
Feature	Single Pole
Amperage	15 Amp
Voltage	120 Volt
Terminations	Quickwire Push-in, and Side Connection
Standards & Certifications	UL/CSA Listed
Warranty	2 Year Limited

2 Function Switch On/Off — Ideal for Fan/Light



FV-WCSW21-W (White)
FV-WCSW21-A (Light Almond)

FEATURES & BENEFITS

- Multi-switch combination devices save space and add convenience
- Engineered to efficiently control current LED lighting and DC motor loads
- Common feed shunted internally to all switches
- Elegant decorator styling provides multiple controls in a single-gang wall box
- Fits single gang box / Includes matching wall plate
- Commercial Grade

Specifications	FV-WCSW21-W/A
Ground	Grounding
Feature	Single Pole / Single Pole
Amperage	15 Amp
Voltage	120 Volt
Terminations	Side Connection
Standards & Certifications	UL/CSA Listed
Warranty	2 Year Limited

is available in single, double, triple and quad functions to provide a complete package for all of your residential and commercial application needs.

3 Function Switch On-Off — Ideal for Fan/Light/Night-light



FV-WCSW31-W (White)
FV-WCSW31-A (Light Almond)

- FEATURES & BENEFITS**
- Multi-switch combination devices save space and add convenience
 - Engineered to efficiently control current LED lighting and DC motor loads
 - Common feed shunted internally to all switches
 - Elegant decorator styling provides multiple controls in a single-gang wall box
 - Fits single gang box / Includes matching wall plate
 - Commercial Grade

Specifications	FV-WCSW31-W/A
Ground	Grounding
Feature	Single Pole / Single Pole / Single Pole
Amperage	15 Amp
Voltage	120 Volt
Terminations	Quickwire Push-In, and Side Connection
Standards & Certifications	UL/CSA Listed
Warranty	2 Year Limited

4 Function Switch Designed for model FV-11VHL2 Heat/Fan/Light/Night-Light



FV-WCSW41-W (White)

- FEATURES & BENEFITS**
- Single pole/double throw on-off-on top switch, two single pole on-off switches
 - Multi-switch combination devices save space and add convenience
 - Common feed shunted internally to all switches
 - Elegant decorator styling provides multiple controls in a single-gang wall box
 - Includes matching wall plate
 - Commercial Grade

Specifications	FV-WCSW41-W
Ground	Grounding
Feature	Single pole / double throw on-off-on top switch, two single pole on-off switches
Individual Switch Amperage	15 Amp
Total Switch Amperage	20 Amp
Voltage	120 Volt
Terminations	Quickwire and wire leads
Standards & Certifications	UL/CSA Listed
Warranty	2 Year Limited

Cross Reference for Applicable WhisperControl & EcoSwitch to Panasonic Fans

	Model	FV-WCCS1-W/A	FV-WCCS2-W/A	FV-WCD01-W/A	FV-WCD02-W/A	FV-WCSW11-W/A	FV-WCSW21-W/A	FV-WCSW31-W/A	FV-WCSW41-W
	Switch Type	Condensation Sensor On/Off	Condensation Sensor On/Off/Light	Countdown & Hourly Timer	Countdown & Hourly Timer	1 Function Control	2 Function Control	3 Function Control	4 Function Control
WhisperGreen Select	FV-05-11VK1	X		X		X			
	FV-11-15VK1	X		X		X			
	FV-05-11VKS1	X		X		X			
	FV-05-11VKL1		X		X		X		
	FV-11-15VKL1		X		X		X		
	FV-05-11VKS1				X		X**		
WhisperRecessed/ Recessed LED	FV-08VRL1		X				X		
	FV-08VRE1		X				X		
WhisperCeiling	FV-05VQ5	X		X		X			
	FV-08VQ5	X		X		X			
	FV-11VQ5	X		X		X			
	FV-15VQ5	X		X		X			
	FV-20VQ3	X		X		X			
	FV-30VQ3	X		X		X			
	FV-40VQ3	X		X		X			
	FV-08VQL6		X		X		X	X	
	FV-11VQL6		X		X		X	X	
WhisperSense Lite	FV-08VQCL6				X		X**		
	FV-11VQCL6				X		X**		
WhisperFit	FV-08VF2	X		X		X			
	FV-11VF2	X		X		X			
	FV-05VFL4		X		X		X	X	
	FV-08VFL4		X		X		X	X	
	FV-11VFL4		X		X		X	X	
WhisperValue	FV-05VS3	X		X		X			
	FV-08VS3	X		X		X			
	FV-10VS3	X		X		X			
	FV-08VSL3		X		X		X	X	
	FV-10VSL3		X		X		X	X	
EcoVent	FV-07VBA1	X		X		X			
	FV-07VBB1	X		X		X			
WhisperSupply Wall	FV-01WS2	X		X		X			
	FV-04WS2	X		X					
WhisperWall	FV-08WQ1	X		X		X			
WhisperWarm	FV-11VH2*			X*		X*			
	FV-11VHL2*			X*	X				X*
WhisperLine	FV-10NLF1	X		X		X			
	FV-20NLF1	X		X		X			
	FV-30NLF1	X		X		X			
	FV-40NLF1	X		X		X			
WhisperComfort	FV-04VE1						X		

WhisperWelcome, WhisperSense, and WhisperGreen Select S/M models are not compatible with the above switches.

*Needs 1 control per function; **Switch is for light and night-light only.



Panasonic Eco Solutions of North America
Eco Products Division
 Two Riverfront Plaza
 Newark, NJ 07102
us.panasonic.com/ventfans

For Order Information
 PHONE: 866-292-7299
 FAX: 888-553-0723
ventfans@us.panasonic.com